



JFA CONNECTOR J1700M/2700M/3700M SERIES

Connector for motor (EMI shielding product)

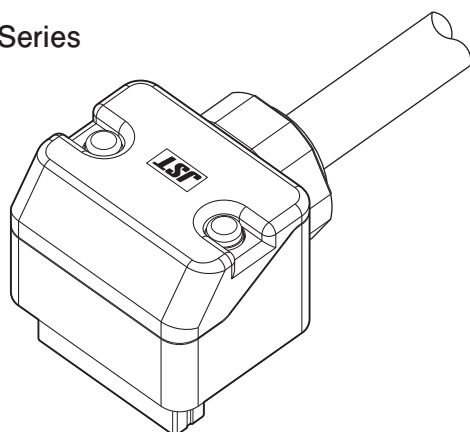
J1700M Series



J2700M Series



J3700M Series



- 6-circuit connector for power supply of servomotor
- EMI shielding product
- Tough metal cover
- Interchangeability with J1700/2700/3700 Series

Standards

Ⓜ : Recognized E 60389

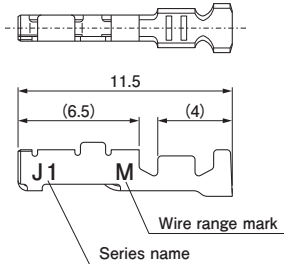
Specifications

- Current rating:
 - 5 A AC/DC J1700M Series 2.0 mm pitch
(Applying current to 3-circuit when AWG #20.)
 - 7 A AC/DC J2700M Series 2.5 mm pitch
(Applying current to 3-circuit when AWG #20.)
 - 10 A AC/DC J3700M Series 3.8 mm pitch
(Applying current to 3-circuit when AWG #16.)
 - Voltage rating: 250 V AC/DC
 - Temperature range: -55°C to +105°C
(including temperature rise in applying electrical current)
 - Applicable cable O.D.: $\phi 7 \pm 0.3$ mm (J1700M/J2700M Series)
 $\phi 8 \pm 0.3$ mm (J3700M Series)
 - Waterproof grade: JIS C0920 Degree of protection 7
(Waterproof type) [IPX7 of IEC 60529]
- * Please note that the above general specifications may differ from the safety standards.
* In using the products, refer to "Handling Precaution for Terminals and Connectors" described on our website (Technical documents of Product information page).
* Dimensional unit: mm
* RoHS2 Compliance
* Contact JST for details.

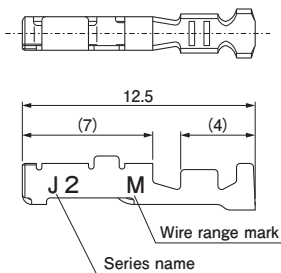
JFA CONNECTOR J1700M/2700M/3700M SERIES

Receptacle contact

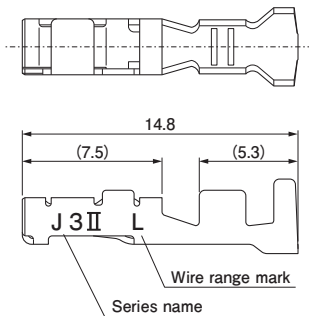
• J1000 Series



• J2000 Series



• J3000 Series



Series	Strip contact Model No.	Wire range mark	Applicable wire range			Q'ty/reel
			mm ²	AWG #	Insulation O.D. (mm)	
J1000	SJ1F-01GF-P0.8	M	0.20 to 0.50	24 to 20	1.11 to 1.53	6,000
J2000	SJ2F-01GF-P1.0	M	0.20 to 0.50	24 to 20	1.11 to 1.53	6,000
J3000	SJ3F-01GF-P1.8	M	0.20 to 0.50	24 to 20	1.11 to 1.86	3,500
	SJ3F-41GF-P1.8	L	0.50 to 1.25	20 to 16	1.53 to 2.50	3,000

Material and Finish

Copper alloy (superior conductivity), nickel-undercoated, selective gold-plated

RoHS2 compliance

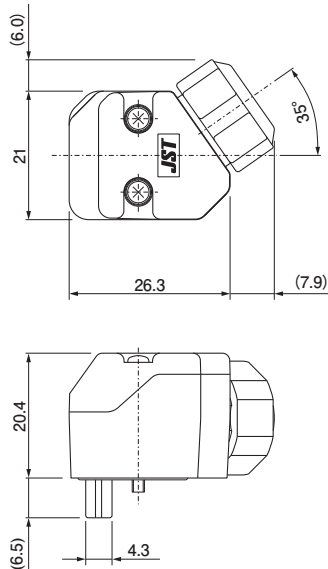
Note: Please note that the above applicable wire range may differ from the safety standards.

Crimping machine, Applicator

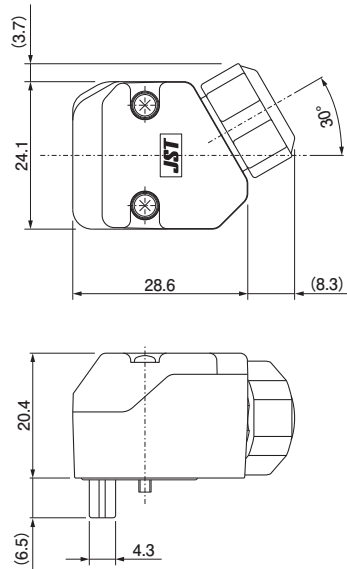
Series	Strip contact Model No.	Crimping machine	Applicator			Hand tools
			Crimp applicator	Dies	Crimp applicator with dies	
J1000	SJ1F-01GF-P0.8	AP-K2N	MKS-L	MK/SJ1F/M01-08	APLMK SJ1F/M01-08	YRS-8841
J2000	SJ2F-01GF-P1.0			MK/SJ2F/M01-10	APLMK SJ2F/M01-10	YRS-8861
J3000	SJ3F-01GF-P1.8			MK/SF3F/M01-20	APLMK SF3F/M01-20	YRF-881
	SJ3F-41GF-P1.8	MK/SF3F/M41-20	APLMK SF3F/M41-20	YRF-880		

Assembly layout

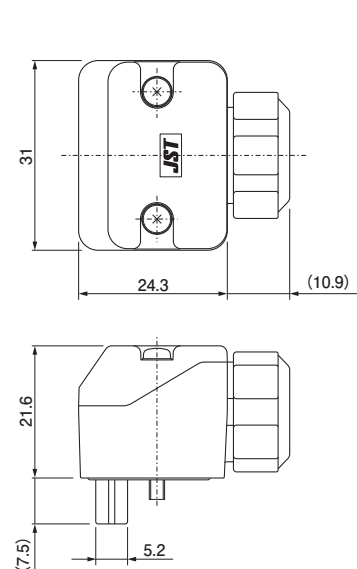
• J1700M Series



• J2700M Series

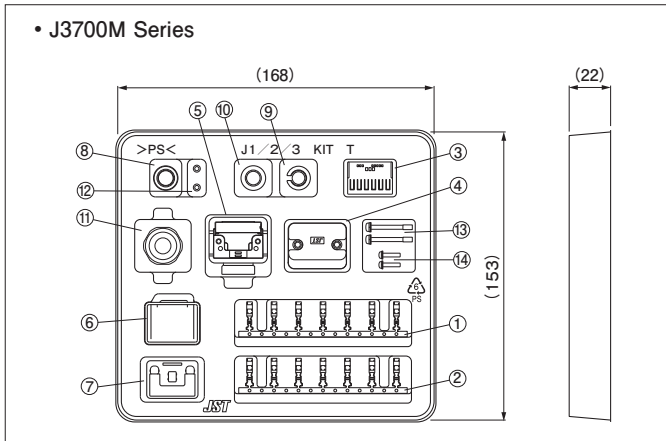
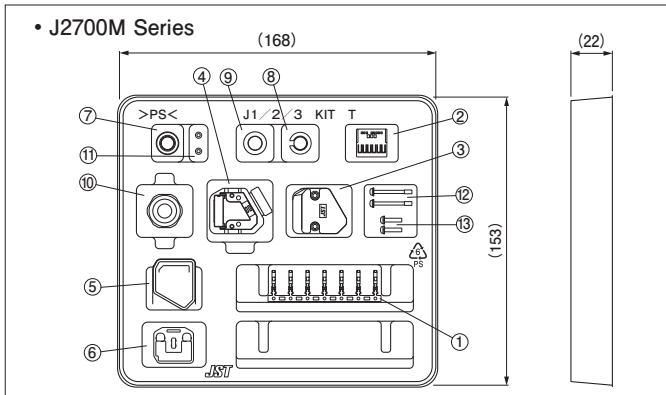
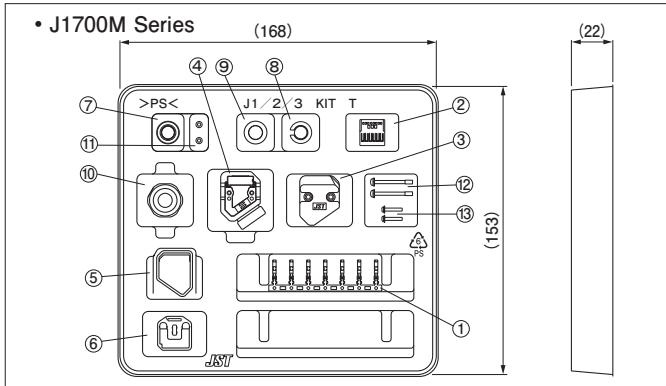


• J3700M Series



JFA CONNECTOR J1700M/2700M/3700M SERIES

Connector kits



Connector kit Model No.	Q'ty/ box	No.	Part Name	Q'ty
J17M-06FMH-7KL-M	12	①	Receptacle contact (M type)	7
		②	Receptacle housing	1
		③	Top cover	1
		④	Bottom cover	1
		⑤	Cover seal	1
		⑥	Seal rubber plate	1
		⑦	Seal ring	1
		⑧	Clamp ring	1
		⑨	Ring	1
		⑩	Clamp nut	1
		⑪	O ring	2
		⑫	M2X21 sems screw	2
		⑬	M1.6X10 sems screw	2

RoHS2 compliance This product displays (PF) on a label.

Connector kit Model No.	Q'ty/ box	No.	Part Name	Q'ty
J27M-06FMH-7KL-M	12	①	Receptacle contact (M type)	7
		②	Receptacle housing	1
		③	Top cover	1
		④	Bottom cover	1
		⑤	Cover seal	1
		⑥	Seal rubber plate	1
		⑦	Seal ring	1
		⑧	Clamp ring	1
		⑨	Ring	1
		⑩	Clamp nut	1
		⑪	O ring	2
		⑫	M2X21 sems screw	2
		⑬	M2X10 sems screw	2

RoHS2 compliance This product displays (PF) on a label.

Connector kit Model No.	Q'ty/ box	No.	Part Name	Q'ty
J37M-06FMH-8KL-ML	12	①	Receptacle contact (M type)	7
		②	Receptacle contact (L type)	7
		③	Receptacle housing	1
		④	Top cover	1
		⑤	Bottom cover	1
		⑥	Cover seal	1
		⑦	Seal rubber plate	1
		⑧	Seal ring	1
		⑨	Clamp ring	1
		⑩	Ring	1
		⑪	Clamp nut	1
		⑫	O ring	2
		⑬	M2.5X23 sems screw	2
		⑭	M2X10 sems screw	2

RoHS2 compliance This product displays (PF) on a label.

Note: M and L types of receptacle contact are the same packing specification.

Model number allocation

Receptacle contact

S J1 F - 01 GF - P 08

Form: S...Strip form
Series name: J1...J1000, J2...J2000, J3...J3000
Type of terminal: F...Receptacle contact
Applicable wire range: 01...AWG #24 to #20 41...AWG #20 to #16
Surface finish: GF...Nickel-undercoated, 0.38μm selective gold-plated
Material: P...Copper alloy
Terminal size: 0.8...J1000, 1.0...J2000, 1.8...J3000

Kit

J17M - 06 FMH - 7 K L - M

Series name: J17M...J1700M, J27M...J2700M, J37M...J3700M
No. of circuits: 6
Part name
Applicable cable O.D.: 7...φ7, 8...φ8
Color: K...Black
Packaging form: L...Tray for kit
Wire range mark: M...M type, ML...M, L types (Same packing spec.)