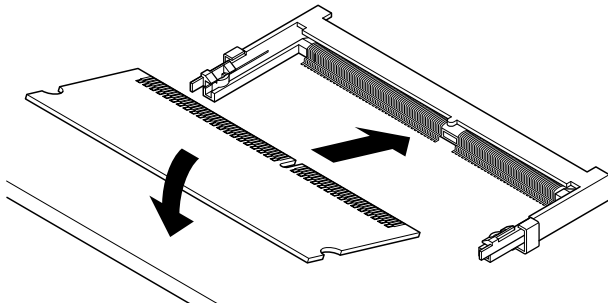




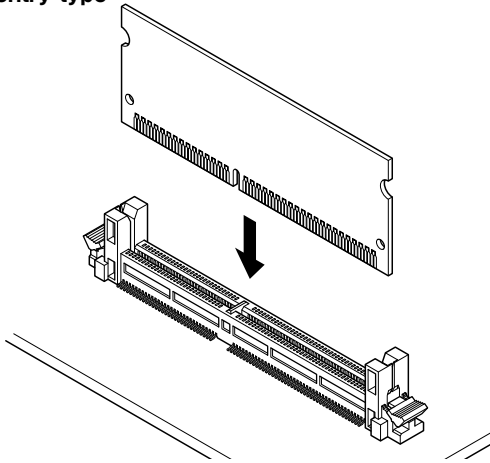
# DM-144P CONNECTOR

0.8 mm pitch/Socket for S.O.DIMM

## Side entry type



## Top entry type



This is sockets for the S.O.DIMM of 144-circuits based on the JEDEC MO-190 standard, and its side type socket is low profile with 5.2 mm height.

- JEDEC MO-190 standard compliance
- Low profile and space saving  
Mounting height: 5.2 mm/ side type, 14 mm/ top type
- Easy insertion/ejection and secure locking of modules

## Specifications

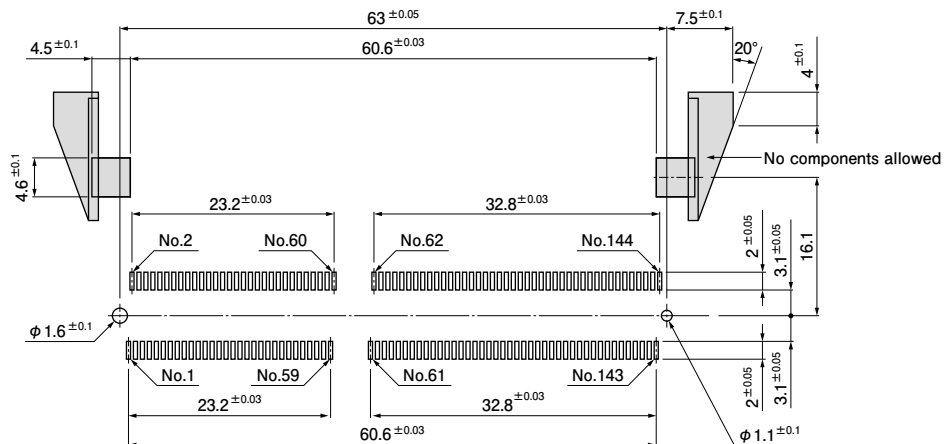
- Current rating: 0.5 A AC/DC
  - Voltage rating: 250 V AC/DC
  - Temperature range: -25°C to +85°C  
(including temperature rise in applying electrical current)
  - Contact resistance: Initial value/ 30 mΩ max.  
After environmental tests/ 50 mΩ max.
  - Insulation resistance: 250 MΩ min.
  - Withstanding voltage: 250 VAC/minute
- \* In using the products, refer to "Handling Precautions for Terminals and Connectors" described on our website (Technical documents of Product information page).
- \* RoHS2 compliance
- \* Dimensional unit: mm
- \* Contact JST for details.

## Standards

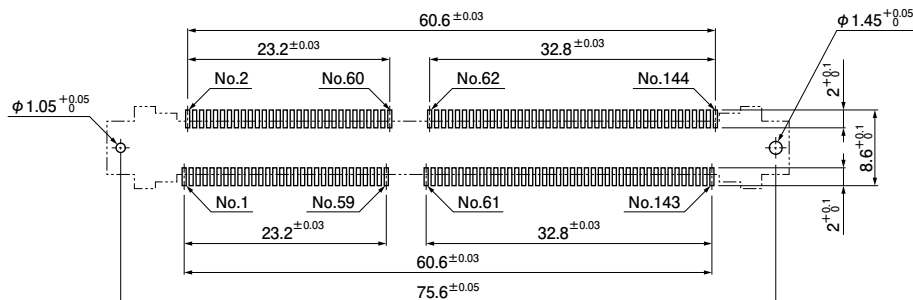
Ⓜ Recognized E60389

## PC board layout

### Side entry type



### Top entry type

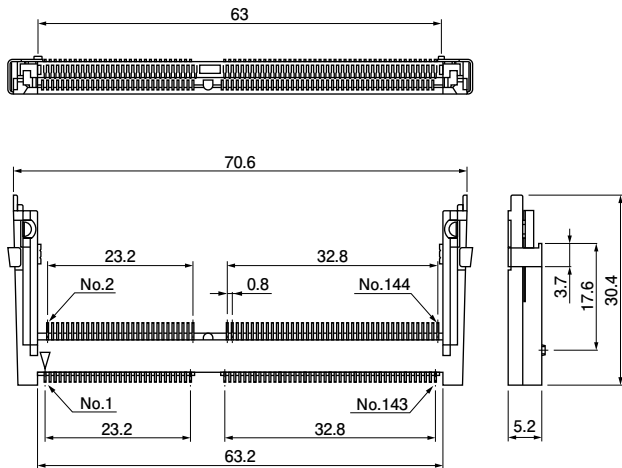


Note: 1. The above figure is the figure viewed from the connector mounting side.  
2. Tolerances are non-cumulative:  $\pm 0.03$  mm for all centers.  
The dimensions above should serve as a guideline. Contact JST for details.

# DM-144P CONNECTOR

## Connector

### Side entry type



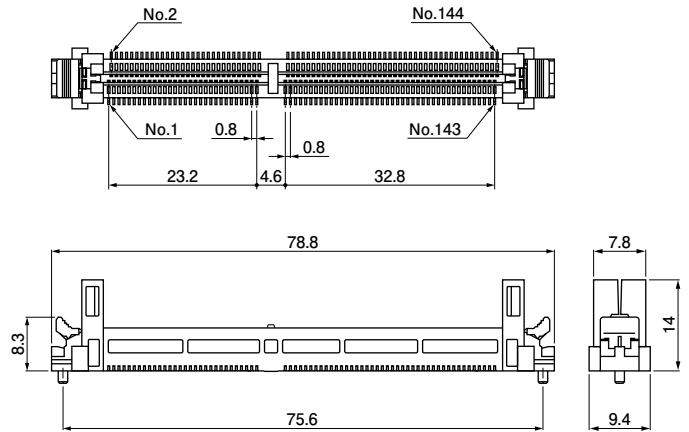
Model No.	Q'ty/box
DM-3B1-N1210 (LF)(N1)	320

#### Material and Finish

Contact: Copper alloy, nickel-undercoated, Mating part; gold-plated  
Solder tail; tin/copper alloy-plated  
Housing: Heat resisting resin, UL94V-0  
Solder tab: Copper alloy, nickel-undercoated, tin-plated

RoHS2 compliance This product displays (LF)(SN) on a label.

### Top entry type



Model No.	Q'ty/box
DM-3D4-B3200	224

#### Material and Finish

Contact: Copper alloy, nickel-undercoated, gold-plated  
Housing: Heat resisting resin, UL94V-0  
Ejector: Heat resisting resin, UL94V-0

RoHS2 compliance

## Applicable PC board layout (for reference)

